

TADANO ROUGH TERRAIN CRANE
MODEL : **GR-700EX**
(Left-hand steering)

SPECIFICATIONS

TADANO LTD.

TADANO ROUGH TERRAIN CRANE
MODEL : GR-700EX
 (Left-hand steering)

GENERAL DATA

<u>CRANE CAPACITY</u>	70,000 kg at 3.0 m
<u>BOOM</u>	5-section, 11.5 m — 44.0 m
<u>DIMENSION</u>	
Overall length	approx. 14,075 mm
Overall width	approx. 3,315 mm
Overall height	approx. 3,800 mm
<u>MASS</u>	
Gross vehicle mass	approx. 48,485 kg
-front axle	approx. 24,740 kg
-rear axle	approx. 23,745 kg
<u>PERFORMANCE</u>	
Max. traveling speed	computed 39 km/h
Gradeability (tan θ)	computed 112 % (at stall) *36 %

* Machine should be operated within the limit of engine crankcase design (20° : MITSUBISHI 6M60-TLU3B).

Specifications are subject to change without notice.

CRANE SPECIFICATIONS

<u>MODEL</u>	GR-700EX
<u>CAPACITY</u>	70,000 kg at 3.0 m
<u>BOOM</u>	<p>5-section full power partially synchronized telescoping boom of round hexagonal box construction with 7 sheaves at boom head. The synchronization system consists of 2 telescope cylinders, extension cables and retraction cables.</p> <p>Hydraulic cylinders fitted with holding valves.</p> <p>Fully retracted length. 11.5 m</p> <p>Fully extended length. 44.0 m</p> <p>Extension speed. 32.5 m in 145 s</p>
<u>JIB</u>	<p>2-staged swingaround boom extension. Triple offset (3.5°/25°/45°) type. Stores alongside base boom section.</p> <p>Assistant cylinders for mounting and stowing.</p> <p>Single sheave at jib head.</p> <p>Length. 9.9 m and 17.7 m</p>
<u>SINGLE TOP (AUXILIARY BOOM SHEAVE)</u>	<p>Single sheave.</p> <p>Mounted to main boom head for single line work.</p>
<u>ELEVATION</u>	<p>By a double-acting hydraulic cylinder, fitted with holding valve.</p> <p>Elevation speed. -2° to 80° in 77 s</p>
<u>HOIST - Main winch</u>	<p>Variable speed type with grooved drum driven by hydraulic axial piston motor through winch speed reducer. Power load lowering and hoisting. Equipped with automatic brake (Neutral brake) and counterbalance valve. Controlled independently of auxiliary winch.</p> <p>Single line pull. 54.9 kN {5,600 kgf}</p> <p>Single line speed. 143m/min (at the 4th layer)</p> <p>Wire rope. No-spin type</p> <p>Diameter x length. 19 mm x 251 m</p>

HOIST -

Auxiliary winch

Variable speed type with grooved drum driven by hydraulic axial piston motor through winch speed reducer. Power load lowering and hoisting. Equipped with automatic brake (Neutral brake) and counterbalance valve. Controlled independently of main winch.

Single line pull. 54.9 kN {5,600 kgf}

Single line speed. 125m/min (at the 2nd layer)

Wire rope. No-spin type

Diameter x length. 19 mm x 134 m

SWING

Hydraulic axial piston motor driven through planetary speed reducer. Continuous 360° full circle swing on ball bearing slew ring. Equipped with manually locked/released swing brake.

Swing speed. 2.3 min⁻¹ {rpm}

HYDRAULIC SYSTEM

Pumps. 2 variable piston pumps for telescoping, elevating and winches.

Tandem gear pump for steering, swing and optional equipment.

Control valves. Multiple valves actuated by pilot pressure with integral pressure relief valves.

Circuit. Equipped with air cooled type oil cooler.

Oil pressure appears on AML display for main circuit.

Hydraulic oil tank capacity. . .

approx. 740 liters

Filters. Return line filter

CRANE CONTROL

By 4 control levers for swing, boom hoist, main winch, boom telescoping or auxiliary winch with 2 control pedals for boom hoist and boom telescoping based on ISO standard layout. Control lever stands can change neutral positions and tilt for easy access to cab.

CAB

Both crane and drive operations can be performed from one cab mounted on rotating superstructure. One sided one-man type, steel construction with sliding door access and tinted safety glass windows opening at side. Door window is powered control. Operator's 3 way adjustable seat with headrest and armrest.

TADANO Automatic
Moment Limiter
(Model: AML-L)

Main unit in crane cab gives audible and visual warning of approach to overload. Automatically cuts out crane motions before overload. With working range (load radius and/or boom angle and/or tip height and/or swing range) limit function.

Nine functions are displayed.

Digital liquid crystal display:

Either boom angle or moment %

Either boom length or potential hook height

Either actual load radius or swing angle

Actual hook load

Permissible load

Either jib offset angle or number of parts line of rope

Boom position indicator

Either outrigger position or on-tire indicator

Bar graphical display:

Either moment as percentage or main hydraulic pressure
(Display changes by alternation key)

OUTRIGGERS

4-hydraulically operated H-type outriggers. Each outrigger controlled simultaneously or independently from the cab and either side of carrier. Equipped with sight level gauge. Floats mounted integrally with the jacks retract to within vehicle width.

All cylinders fitted with pilot check valves.

Crane operation with different extended length of each outrigger.

Equipped with extension width detector for each outrigger.

Extended width

Fully. 7,200 mm

Middle. 6,700 mm

Middle. 5,500 mm

Minimum. 2,800 mm

Float size (Diameter). 500 mm

COUNTERWEIGHT

Integral with swing frame (containing removable weight)

Mass. 7,900 kg

NOTE : Each crane motion speed is based on unladen conditions.

CARRIER SPECIFICATIONS

<u>TYPE</u>	Rear engine, left hand steering, driving axle 2-way selected type (by manual switch). 4 x 2 front drive 4 x 4 front and rear drive
<u>FRAME</u>	High-tensile steel, all welded mono-box construction.
<u>ENGINE</u>	Model. . . . MITSUBISHI 6M60-TLU3B [EUROMOT Stage III A] Type. . . . 4 cycle, 6 cylinder in line, direct injection, water cooled, turbo charged and after cooled, diesel engine. Piston displacement. . . . 7,545 cm ³ Bore x stroke. 118 mm x 115 mm Max. output. 200 kW {272 PS} at 2,600 min ⁻¹ {rpm} Max. torque. 785 N-m {80 kgf-m} at 1,400 min ⁻¹ {rpm}
<u>TRANSMISSION</u>	Electronically controlled full automatic transmission. Torque converter driving full powershift with driving axle selector. 6 forward and 2 reverse speeds. 3 speeds - High range - 2 wheel drive ; 4 wheel drive 3 speeds - Low range - 4 wheel drive
<u>AXLES</u>	Front. . . . Full floating type, steering and driving axle with planetary reduction. Rear. . . . Full floating type, steering and driving axle with planetary reduction. Non-spin differential.
<u>STEERING</u>	Hydraulic power steering controlled by steering wheel. Four steering modes available: 2-wheel front 2-wheel rear 4-wheel coordinated 4-wheel crab
<u>SUSPENSION</u>	Front. . . . Rigid mounted to the frame. Rear. . . . Pivot mounted with hydraulic lockout cylinders.
<u>BRAKE SYSTEM</u>	Service. . . Air over hydraulic disc brakes on all 4 wheels. Parking / Emergency. . . Spring applied-air released brake acting on input shaft of front axle. Auxiliary. . . Electro-pneumatic operated exhaust brake.
<u>ELECTRIC SYSTEM</u>	24 V DC. 2 batteries of 12 V - 120 Ah capacity.
<u>FUEL TANK CAPACITY</u>	300 liters
<u>TIRES</u>	Front. . . . 29.5 - 25 22PR(OR), Single x 2 Rear. . . . 29.5 - 25 22PR(OR), Single x 2
<u>TURN RADIUS</u>	Min. turning radius (at center of extreme outer tire) 2-wheel steering. 11.9 m 4-wheel steering. 6.7 m

EQUIPMENT

STANDARD EQUIPMENT

Automatic moment limiter (AML-L)
 External lamp and buzzer (AML)
 Pendant type over-winding cutout
 Winch automatic fail-safe brake
 Over-unwinding prevention
 Cable follower
 40 t capacity hook block (4 sheaves)
 5.6 t capacity hook block (swivel hook)
 Hook safety latch
 Pilot check valves
 Holding valves
 Counterbalance valves
 Hydraulic pressure relief valves
 Swing brake
 Swing lock (360° positive swing lock)
 Boom angle indicator
 Boom elevation foot pedal
 Boom telescoping foot pedal
 Outrigger extension width detector
 Emergency engine stop system
 Air conditioner(hot water heater and cooler)
 Outrigger control box (Both sides of carrier)
 Sight level gauge
 Hydraulic oil cooler
 Electric windshield wiper and washer
 Roof window wiper and washer
 Power window (Cab door)
 Tachometer/Speedometer
 3 way adjustable cloth seat with headrest, armrest and seat belt
 Cab floor mat
 Sun visor (Front and roof)
 Automatic drive system
 Reversing steering compensator
 Emergency steering
 Transmission neutral position engine start
 Overshift prevention
 Parking braked travel warning
 Tilt-telescope steering wheel
 Back-up alarm
 Air cleaner dust indicator
 Air dryer
 Water separator with filter
 Engine over-run alarm
 Hydraulic lockout suspension
 Non-spin differential (Rear)
 Towing eyes - front and rear
 Winch drum rotation indicator
 Winch drum mirror

OPTIONAL EQUIPMENT

70 t capacity hook block (8 sheaves)
 Electric fan
 Tire inflation kit

RATED LIFTING CAPACITIES

ISO 4305

ON OUTRIGGERS

Unit : kg

Outriggers fully extended (7.2m)												
360° Rotation												
B \ A	11.50		15.56		19.62		27.75		35.87		44.00	
	C		C		C		C		C		C	
3.0	68.9	70,000	74.9	47,000	78.0	40,000						
3.5	65.9	58,500	72.6	47,000	76.6	40,000						
4.0	63.1	53,600	71.0	47,000	75.3	40,000						
4.5	60.1	49,600	69.0	47,000	73.7	40,000	78.9	20,000				
5.0	57.1	45,200	66.6	43,200	72.2	37,500	77.8	20,000				
5.5	54.0	40,500	64.8	39,400	70.6	35,000	76.8	20,000				
6.0	50.6	36,300	62.6	35,900	69.1	33,000	75.8	20,000	79.5	14,000		
6.5	47.2	32,900	60.7	32,800	67.5	30,700	74.8	20,000	78.7	14,000		
7.0	43.5	30,000	58.2	30,000	65.9	28,300	73.7	20,000	77.9	14,000		
8.0	35.5	25,200	53.6	25,000	62.4	23,700	71.7	19,400	76.4	14,000	79.5	8,000
9.0	24.2	21,300	48.7	20,800	59.1	19,800	69.5	17,900	74.9	14,000	78.0	8,000
10.0			43.6	17,300	55.6	16,600	67.1	16,300	73.3	13,700	77.0	8,000
11.0			37.8	14,500	51.6	14,000	64.9	14,900	71.7	12,500	75.9	8,000
12.0			30.4	12,300	47.6	11,700	62.6	13,300	69.9	11,500	74.7	8,000
13.0			20.9	10,300	43.2	9,900	60.1	11,400	68.3	10,600	73.4	8,000
14.0					38.6	8,500	57.4	9,800	66.5	9,800	72.1	8,000
16.0					26.7	6,100	52.2	7,400	62.9	8,000	69.4	7,400
18.0							46.4	5,700	59.0	6,400	66.5	6,400
20.0							40.1	4,400	54.7	5,100	63.4	5,200
22.0							32.6	3,400	50.6	4,000	60.3	4,300
24.0							23.1	2,500	45.9	3,100	57.1	3,500
26.0									40.8	2,400	53.6	2,800
28.0									35.5	1,900	49.9	2,200
30.0									29.0	1,400	46.2	1,700
32.0									21.2	1,000	42.3	1,300
D	0°								18°		32°	
Telescoping conditions (%)												
2nd boom	0		50		100		100		100		100	
3rd boom	0		0		0		33		66		100	
4th boom	0		0		0		33		66		100	
Top boom	0		0		0		33		66		100	

A : Boom length (m)**B** : Load radius (m)**C** : Loaded boom angle (°)**D** : Minimum boom angle (°) for indicated length (no load)

RATED LIFTING CAPACITIES

ISO 4305

ON OUTRIGGERS

Unit : kg

Outriggers fully extended (7.2m) 360° Rotation													
C	44.0m Boom + 9.9m Jib						C	44.0m Boom + 17.7m Jib					
	3.5° offset		25° offset		45° offset			3.5° offset		25° offset		45° offset	
	R	W	R	W	R	W		R	W	R	W	R	W
80°	9.8	4,500	13.7	4,000	16.1	3,400	80°	12.5	2,700	18.3	1,700	22.1	1,000
75°	15.1	4,500	18.7	3,900	20.3	3,300	75°	18.6	2,700	23.7	1,700	27.1	1,000
70°	20.0	4,400	23.0	3,400	24.4	3,000	70°	24.2	2,600	28.8	1,700	31.6	1,000
65°	24.3	3,600	27.2	3,000	28.5	2,700	65°	29.2	2,200	33.6	1,700	35.7	1,000
60°	28.1	2,400	30.9	2,400	32.0	2,200	60°	33.5	1,700	37.8	1,500	39.4	1,000
55°	31.8	1,600	34.1	1,500	35.1	1,500	55°	37.4	1,100	41.3	900	43.0	900
50°	35.2	1,000	37.1	1,000	37.9	900							

Outrigger fully extended (7.2m) 360° Rotation													
C	35.87m Boom + 9.9m Jib						C	35.87m Boom + 17.7m Jib					
	3.5° offset		25° offset		45° offset			3.5° offset		25° offset		45° offset	
	R	W	R	W	R	W		R	W	R	W	R	W
80°	8.0	5,600	11.6	5,000	13.8	3,800	80°	10.3	3,600	16.5	2,400	20.4	1,500
75°	12.2	5,600	15.5	4,500	17.5	3,600	75°	15.2	3,600	21.1	2,400	24.4	1,500
70°	16.3	5,500	19.1	4,000	20.9	3,400	70°	19.8	3,200	25.2	2,100	28.2	1,500
65°	20.0	4,500	22.6	3,500	24.1	3,000	65°	24.2	2,700	29.1	1,900	31.6	1,500
60°	23.4	3,800	25.8	3,100	27.1	2,800	60°	28.4	2,300	32.6	1,700	34.7	1,500
55°	26.7	2,800	28.8	2,500	29.9	2,600	55°	32.1	2,000	36.0	1,600	37.6	1,400
50°	29.5	2,000	31.5	1,800	32.4	1,900	56°	35.4	1,400	39.0	1,200	40.1	1,100
45°	32.2	1,400	34.0	1,300	34.6	1,400	57°	38.5	900				
40°	34.7	1,000	36.2	900									

C : Boom angle**R** : Load radius (m)**W** : Rated lifting capacity

RATED LIFTING CAPACITIES

ISO 4305

ON OUTRIGGERS

Unit : kg

Outriggers extended to middle (6.7m)												
360° Rotation												
B \ A	11.50		15.56		19.62		27.75		35.87		44.00	
	C		C		C		C		C		C	
3.0	68.7	70,000	74.8	47,000	78.1	40,000						
3.5	65.9	58,500	72.9	47,000	76.6	40,000						
4.0	63.0	53,600	70.7	47,000	75.0	40,000						
4.5	59.9	49,600	69.0	47,000	73.7	40,000	78.8	20,000				
5.0	57.2	45,100	66.8	43,100	72.1	37,300	77.7	20,000				
5.5	54.0	40,300	64.8	39,100	70.5	34,800	76.8	20,000				
6.0	50.6	36,300	62.7	35,600	69.1	32,800	75.7	20,000	79.6	14,000		
6.5	47.4	32,800	60.6	32,300	67.5	30,700	74.8	20,000	78.7	14,000		
7.0	43.7	29,800	58.4	29,200	65.8	28,200	73.7	20,000	78.0	14,000		
8.0	35.5	24,800	53.7	23,200	62.5	22,800	71.6	19,200	76.4	14,000	79.5	8,000
9.0	24.2	19,100	48.7	18,400	59.0	18,000	69.4	17,700	75.0	14,000	78.4	8,000
10.0			43.7	14,900	55.3	14,600	67.1	15,800	73.3	13,700	77.0	8,000
11.0			37.8	12,400	51.5	12,000	64.7	13,700	71.6	12,500	75.8	8,000
12.0			30.8	10,500	47.5	10,000	62.4	11,600	69.9	11,500	74.7	8,000
13.0			20.8	8,800	43.2	8,400	60.0	10,000	68.1	10,400	73.4	8,000
14.0					38.5	7,100	57.4	8,600	66.5	9,300	72.2	8,000
16.0							51.9	6,500	62.9	7,300	69.4	7,300
18.0							46.2	5,000	58.9	5,600	66.5	6,000
20.0							40.0	3,800	54.6	4,300	63.3	4,800
22.0							32.7	2,900	50.3	3,300	60.1	3,700
24.0							23.3	2,100	45.7	2,500	56.7	2,900
26.0									40.6	1,900	53.2	2,300
28.0									35.0	1,300	49.7	1,700
30.0											45.9	1,200
D	0°								18°		32°	
Telescoping conditions (%)												
2nd boom	0	50	100	100	100	100	100	100	100	100	100	100
3rd boom	0	0	0	0	33	66	100	100	100	100	100	100
4th boom	0	0	0	0	33	66	100	100	100	100	100	100
Top boom	0	0	0	0	33	66	100	100	100	100	100	100

A : Boom length (m)

B : Load radius (m)

C : Loaded boom angle (°)

D : Minimum boom angle (°) for indicated length (no load)

RATED LIFTING CAPACITIES

ISO 4305

ON OUTRIGGERS

Unit : kg

Outriggers extended to middle (6.7m) 360° Rotation													
C	44.0m Boom + 9.9m Jib						C	44.0m Boom + 17.7m Jib					
	3.5° offset		25° offset		45° offset			3.5° offset		25° offset		45° offset	
	R	W	R	W	R	W		R	W	R	W	R	W
80°	10.0	4,500	13.7	4,000	16.0	3,400	80°	12.5	2,700	18.4	1,700	22.3	1,000
75°	15.1	4,500	18.7	3,900	20.3	3,300	75°	18.6	2,700	23.7	1,700	27.1	1,000
70°	20.0	4,400	23.1	3,400	24.5	3,000	70°	24.3	2,600	28.8	1,700	31.6	1,000
65°	24.2	3,300	27.1	3,000	28.5	2,700	65°	29.2	2,200	33.4	1,600	35.7	1,000
60°	28.0	2,100	30.6	2,000	31.7	1,900	60°	33.2	1,500	37.7	1,300	39.4	1,000
55°	31.6	1,300	34.0	1,200	34.8	1,200							

Outriggers extended to middle (6.7m) 360° Rotation													
C	35.87m Boom + 9.9m Jib						C	35.87m Boom + 17.7m Jib					
	3.5° offset		25° offset		45° offset			3.5° offset		25° offset		45° offset	
	R	W	R	W	R	W		R	W	R	W	R	W
80°	8.0	5,600	11.6	5,000	13.8	3,800	80°	10.3	3,600	16.5	2,400	20.3	1,500
75°	12.2	5,600	15.4	4,500	17.4	3,600	75°	15.2	3,600	21.1	2,400	24.4	1,500
70°	16.2	5,500	19.1	4,000	20.9	3,400	70°	19.8	3,200	25.2	2,100	28.2	1,500
65°	19.9	4,500	22.5	3,500	24.1	3,000	65°	24.2	2,700	29.0	1,900	31.6	1,500
60°	23.4	3,700	25.8	3,100	27.1	2,800	60°	28.3	2,300	32.6	1,700	34.7	1,500
55°	26.5	2,600	28.7	2,300	29.8	2,100	55°	31.9	1,700	35.9	1,500	37.5	1,400
50°	29.4	1,800	31.4	1,600	32.2	1,500	50°	35.3	1,100	38.8	1,000	40.0	900
45°	32.1	1,200	33.8	1,000	34.4	1,000							

C : Boom angle**R** : Load radius (m)**W** : Rated lifting capacity

RATED LIFTING CAPACITIES

ISO 4305

ON OUTRIGGERS

Unit : kg

Outriggers extended to middle (5.5m)													
360° Rotation													
B \ A	11.50		15.56		19.62		27.75		35.87		44.00		
	C		C		C		C		C		C		
3.0	69.1	66,300	74.8	47,000	78.2	40,000							
3.5	66.1	58,400	72.7	47,000	76.8	40,000							
4.0	63.2	51,200	71.0	47,000	75.2	40,000							
4.5	60.3	44,600	68.9	46,000	73.8	40,000	78.8	20,000					
5.0	57.1	39,100	66.9	38,700	72.2	34,500	77.8	20,000					
5.5	54.2	34,300	64.8	33,100	70.6	29,800	76.7	20,000					
6.0	50.8	30,100	62.6	28,800	68.9	26,000	75.7	20,000	79.5	14,000			
6.5	47.4	26,300	60.6	25,200	67.4	23,000	74.7	20,000	78.5	14,000			
7.0	44.0	23,000	58.3	22,000	65.7	20,500	73.6	19,800	77.9	14,000			
8.0	35.8	17,700	53.7	17,100	62.2	16,500	71.5	16,300	76.4	14,000	79.4	8,000	
9.0	24.2	13,700	48.7	13,600	58.8	13,200	69.2	13,800	74.9	13,300	78.3	8,000	
10.0			43.8	11,000	55.3	10,600	67.0	11,700	73.1	11,500	77.2	8,000	
11.0			37.9	9,000	51.5	8,600	64.6	10,000	71.4	10,000	75.9	8,000	
12.0			30.6	7,400	47.3	7,100	62.1	8,600	69.7	8,800	74.8	8,000	
13.0			21.6	6,100	42.9	5,800	59.8	7,300	67.9	7,700	73.3	7,600	
14.0					38.3	4,700	57.3	6,200	66.1	6,800	71.7	6,800	
16.0							51.9	4,400	62.6	5,200	68.9	5,400	
18.0							46.0	3,100	58.4	3,900	66.0	4,200	
20.0							39.9	2,200	54.3	2,800	62.8	3,200	
22.0							32.2	1,400	49.6	2,000	59.7	2,400	
24.0									44.9	1,300	56.4	1,700	
26.0											53.0	1,100	
D	0°						18°		32°				
Telescoping conditions (%)													
2nd boom	0		50		100		100		100		100		
3rd boom	0		0		0		33		66		100		
4th boom	0		0		0		33		66		100		
Top boom	0		0		0		33		66		100		

A : Boom length (m)

B : Load radius (m)

C : Loaded boom angle (°)

D : Minimum boom angle (°) for indicated length (no load)

RATED LIFTING CAPACITIES

ISO 4305

ON OUTRIGGERS

Unit : kg

Outriggers extended to middle (5.5m) 360° Rotation													
C	44.0m Boom + 9.9m Jib						C	44.0m Boom + 17.7m Jib					
	3.5° offset		25° offset		45° offset			3.5° offset		25° offset		45° offset	
	R	W	R	W	R	W		R	W	R	W	R	W
80°	10.0	4,500	13.7	4,000	16.1	3,400	80°	12.5	2,700	18.2	1,700	22.0	1,000
75°	15.1	4,500	18.7	3,900	20.3	3,300	75°	18.7	2,700	24.0	1,700	27.1	1,000
70°	19.6	3,600	22.9	3,000	24.4	2,900	70°	23.9	2,400	29.0	1,700	31.7	1,000
65°	23.7	2,300	26.6	1,900	27.6	1,800	65°	28.4	1,400	33.3	1,300	35.8	1,000
60°	27.6	1,300	30.1	1,000	30.8	1,000							

Outriggers extended to middle (5.5m) 360° Rotation													
C	35.87m Boom + 9.9m Jib						C	35.87m Boom + 17.7m Jib					
	3.5° offset		25° offset		45° offset			3.5° offset		25° offset		45° offset	
	R	W	R	W	R	W		R	W	R	W	R	W
80°	8.0	5,600	11.6	5,000	13.8	3,800	80°	11.0	3,600	16.5	2,400	20.4	1,500
75°	12.2	5,600	15.4	4,500	17.4	3,600	75°	15.3	3,600	21.1	2,400	24.4	1,500
70°	16.2	5,000	19.2	4,000	20.9	3,400	70°	19.8	3,200	25.2	2,100	28.2	1,500
65°	19.6	3,700	22.5	3,300	24.1	2,800	65°	24.1	2,600	29.0	1,900	31.5	1,500
60°	23.0	2,400	25.5	2,200	26.8	1,900	60°	27.9	1,600	32.4	1,400	34.6	1,200
55°	26.2	1,500	28.5	1,400	29.5	1,200							

C : Boom angle

R : Load radius (m)

W : Rated lifting capacity

RATED LIFTING CAPACITIES

ISO 4305

ON OUTRIGGERS

Unit : kg

Outriggers extended to minimum (2.8m)												
360° Rotation												
B \ A	11.50		15.56		19.62		27.75		35.87		44.00	
	C		C		C		C		C		C	
3.0	69.1	38,900	74.8	36,100	78.1	35,200						
3.5	66.1	30,200	72.7	28,400	76.4	27,700						
4.0	63.2	24,200	70.8	22,800	74.9	22,200						
4.5	60.2	19,800	68.7	18,600	73.4	18,200	78.8	19,200				
5.0	57.3	16,500	66.7	15,500	71.8	15,100	77.6	16,400				
5.5	54.1	14,000	64.7	13,100	70.1	12,800	76.5	14,200				
6.0	50.8	12,000	62.5	11,200	68.5	10,900	75.5	12,400	79.5	13,200		
6.5	47.6	10,400	60.3	9,600	66.9	9,300	74.4	10,800	78.6	11,600		
7.0	44.0	9,100	58.1	8,300	65.3	8,000	73.3	9,500	77.6	10,300		
8.0	35.9	6,900	53.5	6,200	62.1	5,900	71.0	7,400	76.0	8,100	79.5	8,000
9.0	24.9	5,200	48.8	4,700	58.4	4,400	68.8	5,800	74.3	6,500	78.1	6,900
10.0			43.4	3,500	54.9	3,200	66.4	4,600	72.5	5,200	76.7	5,700
11.0			37.7	2,500	51.1	2,200	64.1	3,600	70.9	4,200	75.3	4,700
12.0			30.7	1,700	46.9	1,400	61.7	2,700	69.2	3,300	73.9	3,800
13.0							59.3	2,000	67.3	2,600	72.4	3,000
14.0							56.6	1,400	65.7	2,000	70.9	2,400
D	0°				38°		46°		54°		62°	
Telescoping conditions (%)												
2nd boom	0		50		100		100		100		100	
3rd boom	0		0		0		33		66		100	
4th boom	0		0		0		33		66		100	
Top boom	0		0		0		33		66		100	

A : Boom length (m)

B : Load radius (m)

C : Loaded boom angle (°)

D : Minimum boom angle (°) for indicated length (no load)

NOTES FOR "ON OUTRIGGERS" TABLE

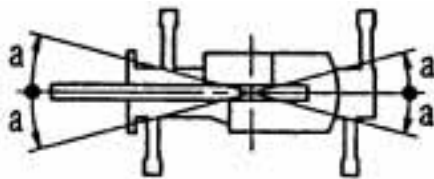
1. Rated lifting capacities shown in the table are based on condition that crane is set on firm level surface. Those above bold lines are based on crane strength and those below, on its stability.
2. Rated lifting capacities based on crane stability are according to ISO 4305.
3. The mass of the hook (850 kg for 70t capacity, 470 kg for 40t capacity, 150 kg for 5.6 t capacity), slings and all similarly used load handling devices must be considered as part of the load and must be deducted from the lifting capacities.
4. For rated lifting capacity of single top, reduce the rated lifting capacities of relevant boom according to a weight reduction for auxiliary load handling equipment. Capacities of single top shall not exceed 5,600 kg including main hook.
5. Standard number of parts of line for each boom length is as shown below. Load per line should not surpass 54.9 kN {5,600 kgf} for main winch and auxiliary winch.

Boom length	11.5m	11.5m to 15.56m	15.56m to 19.62m	19.62m to 27.75m	27.75m to 44.0m	Single top Jib
Number of parts of line	16	12	10	6	4	1

The lifting capacity data stored in the AUTOMATIC MOMENT LIMITER (AML-L) is based on the standard number of parts of line listed in the chart.

6. Maximum lifting capacity is restricted by the number of parts of line of AUTOMATIC MOMENT LIMITER (AML-L). The lifting capacity for over-side area differs depending on the outrigger extension width. Work with the capacity corresponding to the extension width. The lifting capacities for over-front and over-rear areas are for "outriggers fully extended". However, the areas (angle a) differ depending on the outrigger extension width.

Outriggers extended width	6.7m (middle)	5.5m (middle)	2.8m (minimum)
Angle a °	30	20	5



RATED LIFTING CAPACITIES

ISO 4305

ON RUBBER

Unit : kg

Stationary										
B	A	Over Front						360° Rotation		
		11.50		19.62		27.75		11.50	19.62	
		C		C		C		C		
3.0	69.0	33,000					68.7	22,200		
3.5	66.2	29,300					66.0	18,500		
4.0	63.2	26,100					63.2	14,700		
4.5	60.2	23,700					60.1	12,500		
5.0	57.4	21,500					57.1	10,500		
5.5	54.2	19,600					53.7	9,000		
6.0	50.9	17,000					50.5	7,500		
6.5	47.5	15,400	67.0	14,000			47.1	6,400	66.9	5,800
7.0	44.1	13,800	65.3	12,100			43.8	5,500	65.2	4,800
8.0	36.2	11,000	62.0	10,100			35.7	4,100	62.0	3,500
9.0	25.0	8,800	58.7	8,000			23.9	3,100	58.8	2,300
10.0			54.9	6,500	66.6	6,100				
11.0			51.4	5,100	64.3	5,200				
12.0			47.7	4,100	61.8	4,300				
13.0			43.7	3,200	59.3	3,600				
14.0			39.0	2,500	57.0	3,000				
16.0					52.3	2,000				
D	0°								18°	
Telescoping conditions (%)										
2nd boom	0	100	100	0	100					
3rd boom	0	0	33	0	0					
4th boom	0	0	33	0	0					
Top boom	0	0	33	0	0					

Creep										
B	A	Over Front						360° Rotation		
		11.50		19.62		27.75		11.50	19.62	
		C		C		C		C		
3.0	69.0	25,500					68.9	17,100		
3.5	66.0	22,500					66.0	14,700		
4.0	63.1	20,000					63.3	12,700		
4.5	60.3	17,900					60.1	10,600		
5.0	56.9	16,300					57.3	8,800		
5.5	54.0	14,800					53.9	7,500		
6.0	50.6	13,500					50.8	6,500		
6.5	47.4	12,300	67.1	11,700			47.1	5,600	66.8	5,000
7.0	43.6	11,300	65.5	10,700			43.8	4,900	65.1	4,200
8.0	35.3	9,600	62.1	9,000			35.5	3,700	61.9	3,000
9.0	24.1	8,000	58.6	7,100			24.7	2,700	58.3	2,100
10.0			55.2	5,700	66.5	5,500				
11.0			51.4	4,600	64.2	4,800				
12.0			47.6	3,700	61.7	4,100				
13.0			43.8	2,900	59.5	3,500				
14.0			39.1	2,200	57.1	2,900				
16.0					52.2	2,000				
D	0°								18°	
Telescoping conditions (%)										
2nd boom	0	100	100	0	100					
3rd boom	0	0	33	0	0					
4th boom	0	0	33	0	0					
Top boom	0	0	33	0	0					

A : Boom length (m)

B : Load radius (m)

C : Loaded boom angle (°)

D : Minimum boom angle (°) for indicated length (no load)

NOTES FOR "ON RUBBER" TABLE

1. Rated lifting capacities shown in the table are based on condition that crane is set on firm level surface, with suspension lock applied. Those above bold lines are based on tire capacity and those below, on crane stability. They are based on actual working radii increased by tire deformation and boom deflection.
2. Rated lifting capacities based on crane stability are according to ISO 4305.
3. The mass of the hook (850 kg for 70t capacity, 470 kg for 40t capacity, 150 kg for 5.6t capacity), slings and all similarly used load handling devices must be considered as part of the load and must be deducted from the lifting capacities.
4. For rated lifting capacity of single top, reduce the rated lifting capacities of relevant boom according to weight reductions for auxiliary load handling equipment. Capacities of single top shall not exceed 5,600 kg including main hook.
5. On tires lifting with "jib" is not permitted. Maximum permissible boom length is 27.75 m (over front) and 19.62 m (360° rotation).
6. CREEP is motion for crane not to travel more than 60 m in any 30 minute period and to travel at the speed of less than 1.6 km/h.
7. During "CREEP" duties travel slowly and keep the lifting load as close to the ground as possible, and especially avoid any abrupt steering, accelerating or braking.
8. Do not operate the crane while carrying the load.
9. Tires should be inflated to their correct air pressure of 0.41 Mpa {4.2 kgf/cm²}.
10. For CREEP operation, set Drive select switch to "4-WHEEL(Lo)" and set gear shift lever to "1".
11. Standard number of parts of line for on tires operation should be according to the following table.

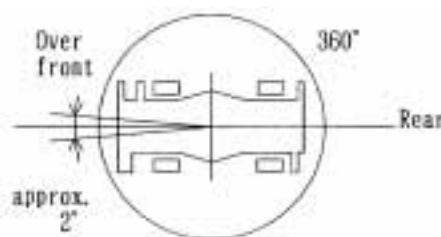
Load per line should not surpass 54.9 kN {5,600 kgf} for main winch and auxiliary winch.

Boom length	Over Front			360° Rotation	
	11.5m	19.62m	27.75m	11.5m	19.62m
Number of parts of line (Single top)	8(Stationary) 6(Creep) (1)	4 (1)	4 (1)	6 (1)	4 (1)

The lifting capacity data stored in the AUTOMATIC MOMENT LIMITER (AML-L) is based on the standard number of parts of line listed in the chart.

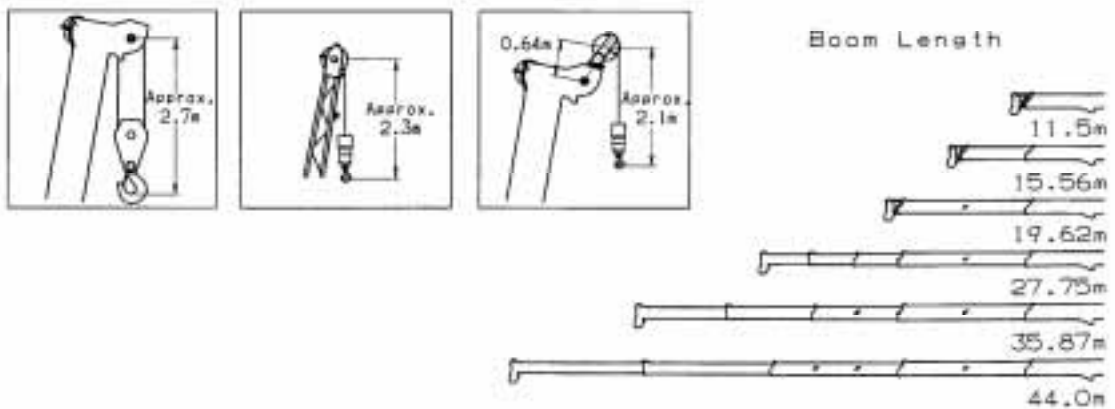
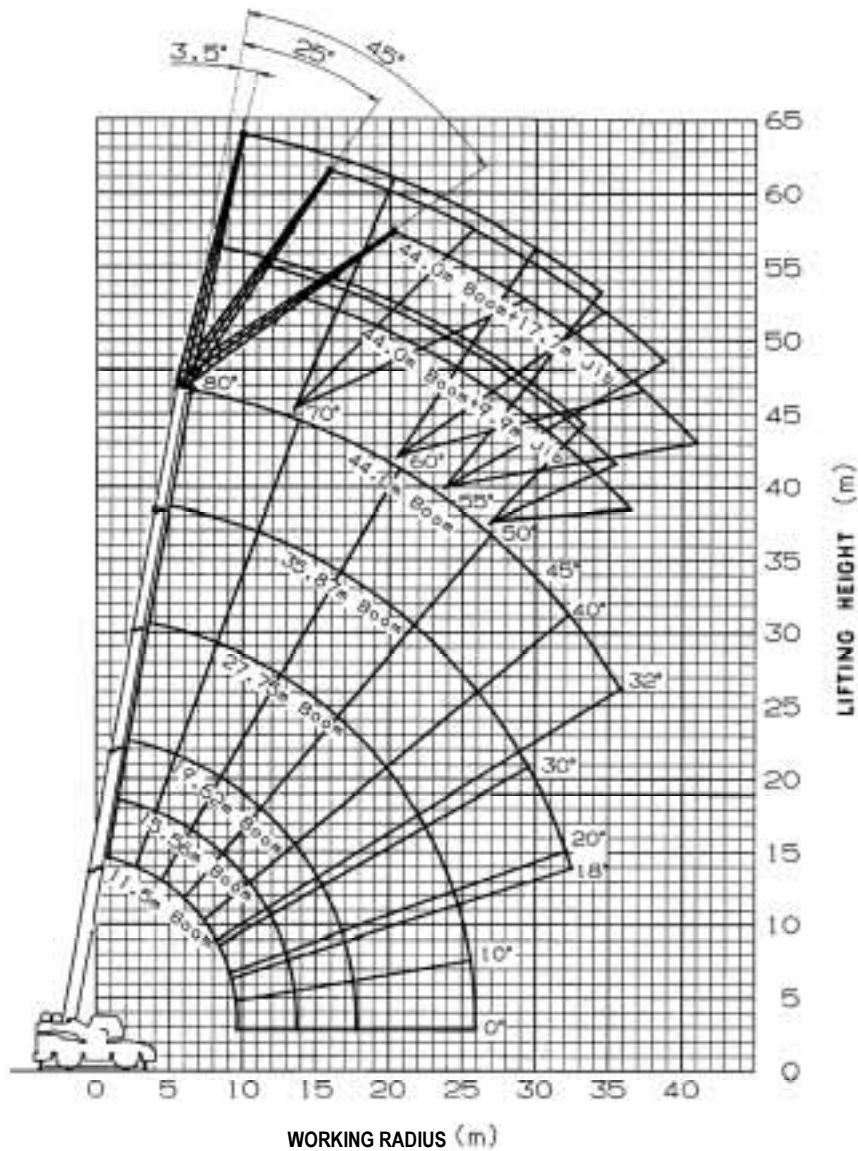
Maximum lifting capacity is restricted by the number of parts of line of AUTOMATIC MOMENT LIMITER (AML-L).

WORKING AREA



Without outriggers "Over front" operation should be performed within 2 degrees in front of chassis.

WORKING RANGE



NOTE: The above lifting height and boom angle are based on a straight (unladen) boom, and allowance should be made for boom deflection obtained under laden conditions.

The above working range is shown on condition with outriggers fully(7.2m) extended.

DIMENSION

Note : Dimension is with boom angle at -2 ° .

GR-700EX Axle Weight Distribution Chart

UNIT : kg

	GVW	Front	Rear
Basic standard machine includes: 5-section boom (11.5 m - 44.0 m) 2-stage jib (9.9 m, 17.7 m) 29.5 x 25 22PR tires Single top 5.6 ton hook ball Hot water cab heater, air conditioner and defroster Reversing steering compensator Emergency steering	48,485	24,740	23,745
Add: 1. 70t 8 sheaves hook block 2. 40t 4 sheaves hook block	+850 +470	+1,530 +850	-680 -380
Remove: 1. 2-stage jib (9.9 m, 17.7 m) 2. Removable counter weight	-1,138 -7,900	-2,006 +3,400	+868 -11,300

Specifications are subject to change without notice.




TADANO

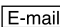
TADANO LTD. (International Division)

4-12, Kamezawa 2-chome,
Sumida-ku, Tokyo 130-0014, Japan

Tel : 81-(0)3-3621-7750

Fax : 81-(0)3-3621-7785

 <http://www.tadano.co.jp/indexe.htm>

 tdnihq@tadano.co.jp

Printed in Japan